

DATANET 2A-SR

Station Backup Callout Actuator

STATION BACKUP ACTUATOR WIDE AREA PAGING RECEIVER



2A-SR Receiver

All critical mobilising systems require backups in the event of landline, microwave, or low band radio link failure.

The 2A-SR receiver (above) assures this backup by providing an alternative trigger for most mobilising system encoders.

Using conventional wide area radio paging, (in the event of normal link failure), a simple phone call or network paging request is all that is needed to initiate mobilisation.

The 2A-SR's design means that this product can be used as a direct replacement to existing receivers carrying out this specific function.

Features

- Wide area paging protocol compliant
- Stand-alone operation
- Simple system integration
- Compatible with existing equipment types
- Sensitive receiver performance
- Rugged electrical interface with open collector trigger
- Extremely low power consumption

Programmable System Features

- Versatile Windows programming software
- 7 ID codes with 4 sub-addresses per ID code
- Display configuration, (LED pattern, useful during installation)
- Programmable triggering period; 2 to 240 seconds
- Programmable, pulse or constant trigger output
- Constant ON mode
- Duplicate call comparator to suppress multiple duplicate alert triggers

Customisation Options.

1. Firmware customisation to provide true individual operation
2. Customer specific logo label
3. Customer individual barcoding

datanet
THE COMMUNICATIONS SOLUTION

Unit 5, Glebe Close Farm,
Cublington Road,
Wing, Leighton Buzzard,
Bedfordshire. LU7 0LB.
United Kingdom

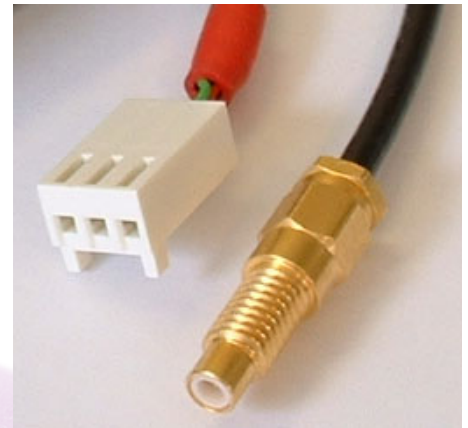
Telephone: +44 (0)1296 682552
Facsimile: +44 (0)1296 682551
Web: <http://www.datanet.org.uk>
Email: info@datanet.org.uk

DATANET 2A-SR

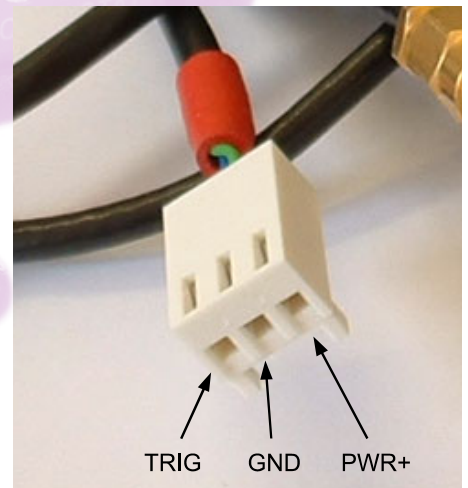
Station Backup Callout Actuator

SPECIFICATIONS

Parameter	137-174 MHz
Sensitivity (direct input from 50 Ohm source)	
512 bps	-123dBm
1200 bps	-121dBm
2400 bps	-120dBm
Spurious rejection	>60dB
Channel Spacing	25 KHz
Selectivity	>65dB@ +/-25KHz
Digital modulation system	Carrier frequency shift keying (NRZ FSK)
Deviation	+/-4.5KHz
Signal Format	POCSAG non return to zero (NRZ)
Bit Rate	512, 1200, 2400 bits per second
ID Codes	7 ID address codes
Total Address Capacity	28 unique addresses
Trigger output	Open NPN collector (negative ground)
Trigger maximum ratings	
Sink current	100mA
Open voltage	50V
Collector power dissipation	300mW
Power supply	Min: 1.2V Norm: 1.5V Max: 2.0V
Current consumption (standby)	
RF on	4mA
RF off	35uA
Average	300uA
Connectors	
RF Input	50 Ohm coaxial
Power / Trigger	3 pin 0.1inch pitch socket Pin 1: 1.5Volt Pin 2: Ground Pin 3: Trigger
RF cable	50 Ohm RG174 (350mm long min)
Power / Trigger cable	3 Core 3.4mm diameter (350mm long min)
Dimensions (excluding cables)	69mm x 48.9mm x 18.6mm
Weight	Approx. 55grams



High quality antenna (RF) and power trigger connectors



Power / trigger connector pinout details

Figures above are typical and measured under normal operating conditions. As such they will not form part of any contract. Our policy is one of continuous improvement and we reserve the right to change specifications without notice.

© Datonet 2004



Standard 2A Alerter

As a firefighter's alerter the basic 2A alerter is a perfect product for simple no nonsense, instantly recognisable alert paging.

See further details on our website at www.datonet.org.uk or call us on 01296 682552.

datonet
THE COMMUNICATIONS SOLUTION

Unit 5, Glebe Close Farm,
Cublington Road,
Wing, Leighton Buzzard,
Bedfordshire. LU7 0LB.
United Kingdom

Telephone: +44 (0)1296 682552
Facsimile: +44 (0)1296 682551
Web: <http://www.datonet.org.uk>
Email: info@datonet.org.uk